

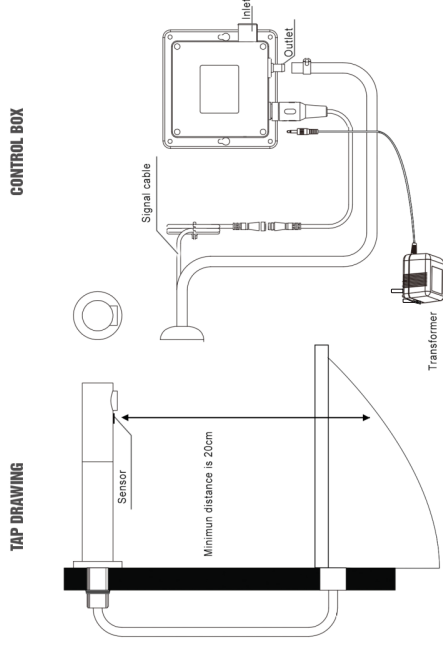
## INSTALLATION INSTRUCTIONS

We strongly recommend that you use a qualified and registered plumber and electrician.

Note: Always flush pipe work before installation.

- >Push flexi hose and control cable through hole in wall or S/S wall mounting plate and tighten nut.
- >Insert batteries into control box. (See drawing)
- >Screw control box to wall (Within the length of the flexi pipe and control cable) (control box can be located in wall cavity with access if required)
- >Connect flexi hose from tap to outlet of control box, squeeze clamp over hose and slide pipe onto outlet of control box then release clamp to secure.
- >Connect water feed to inlet of control box.
- >Connect transformer to the control box.

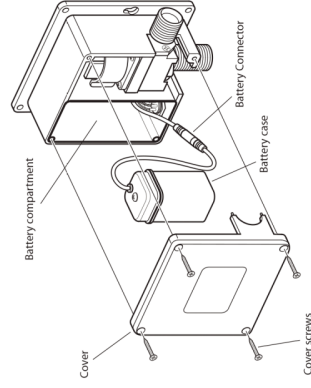
## COMPONENTS



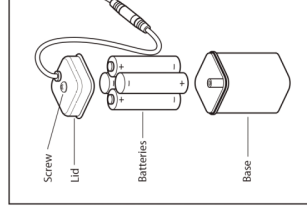
## TECHNICAL SPECIFICATION

Function	GA003AC
Power Input	DC:6V(4x1.5V AA alkaline battery) AC:220-240V (50/60 Hz)
Power consumption	<0.3MW
Water Pressure	100kPa-500kPa
Inlet/outlet Diameter	G1/2"-14
Detection zone	10 cm
Confirmation time	1 second
Temperature	1 C-45 °C

### CONTROL BOX PARTS



### BATTERY BOX PARTS





## TROUBLESHOOTING

No water out	The batter is exhausted Water supply cut off Dirt in the filter Water pressure is low	Change the battery Check Supply Clean the filter Raise the pressure
Water will not turn off	Dirt on the sensor/window	Clean the sensor
Too little water flow	Water supply is turned down The filter is too dirty Water pressure is too low	Adjust water supply Clean the filter Raise the pressure
Too much water flow	Water pressure is too high	Adjust pressure
Short cycles of battery	Incorrect batteries	Change to 4AA Alkaline batteries
The indicator light is not on	The light is broken The circuit board is wet or signal line is wet The battery is exhausted Poor connection of battery	Change the light or circuit board Dry out Change the battery Check battery connections
Flashing sensor light Inlet filter cleaning	Battery running low Control box has a filter on the inlet	Replace battery Remove filter and wash out any obstructions



## INSTALLATION INSTRUCTIONS

### AFTER CARE

Whilst advanced plating techniques are used in the manufacture of this product, the surface will be affected if cleaned incorrectly. Surfaces should be maintained using a clean damp cloth, no abrasive agents or materials should be used or come into contact with the surface finish, or this will invalidate your guarantee